



Item No. _____

358

Thick Shake Freezer

358

Features

Serve a wide variety of frozen desserts, like thick shakes and smoothies, with the assurance of safe temperatures for dairy products. Direct-draw a single flavor, or blend in flavorings for more variety.

Freezing Cylinder

One, 7 quart (6.6 liter).

Refrigerated Mix Hopper

One, 20 quart (18.9 liter). Refrigerated to maintain mix temperature below 41°F (5°C).

Indicator Lights

If the freezer is out of mix, the Mix Out light will illuminate, and the freezer will shut down automatically to prevent damage. Less than one pint (0.5 liter) is left in the hopper when the Mix Out system is activated.

Solid-State Controls

Thermistor control precisely monitors temperature and maintains consistent quality in product texture through solid-state technology.

Thumb-Grip Draw Handle

Draw handle makes dispensing of product easy by squeezing two levers together.

Fast Ejection

The beater design ejects product quickly to serve customers faster. Dispense a 16 fl. oz. (473 ml) serving in approximately 3 seconds.

Plastic Hopper Cover

The durable plastic hopper cover maintains its shape through years of use.

750 N. Blackhawk Blvd. Rockton, Illinois 61072
800-255-0626
Phone 815-624-8333 Fax 815-624-8000
www.taylor-company.com
info@taylor-company.com

ISO 9001:2015
Registered Firm



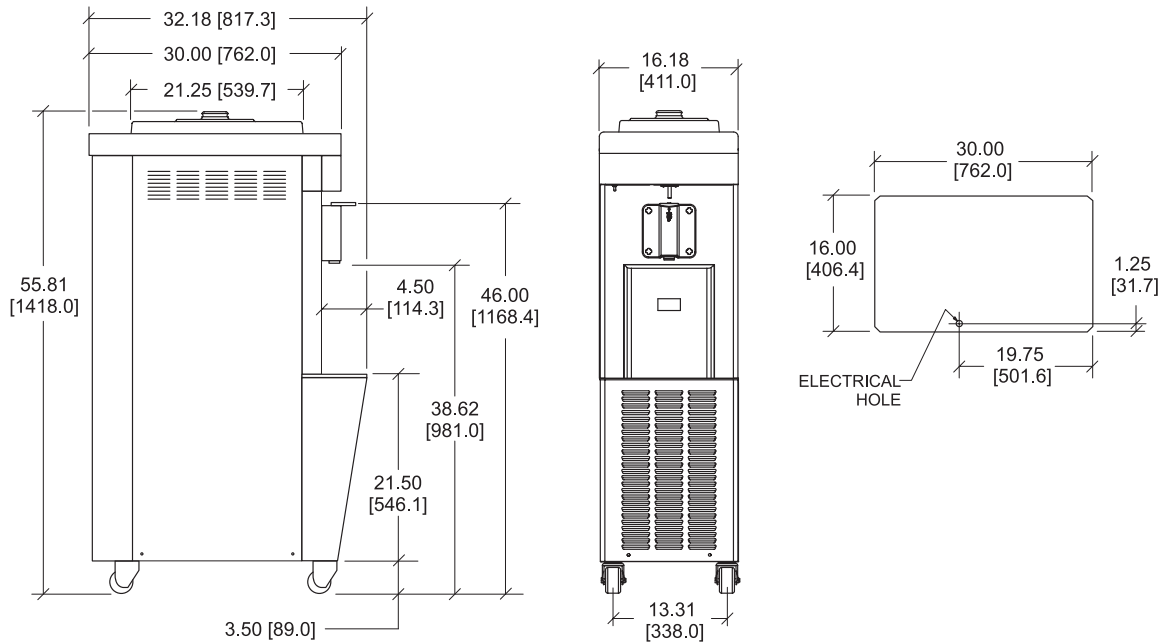
Standard 6



Selected 50/60
Hz. Models



LISTED
SA2650



TOP VIEW - OPERATOR END
ALL CONNECTIONS LOCATED UNDERSIDE OF BASE

FIGURES IN BRACKETS INDICATE MILLIMETERS / DECIMAL AND FRACTIONAL DIMENSIONS EQUAL TO (PLUS OR MINUS 1/16 INCH [1.5mm]).

| Weights | lb. | kg |
|---------|-----|-------|
| Net | 356 | 161.5 |
| Crated | 400 | 181.4 |

**For reference only*

| | cu. ft. | cu. m |
|--------|---------|-------|
| Volume | 22.8 | 0.64 |

| Dimensions | in. | mm |
|-----------------|---------|------|
| Width | 16-3/16 | 411 |
| Depth | 32-3/16 | 818 |
| Height | 53-1/2 | 1359 |
| Floor Clearance | 3-1/2 | 89 |

**Mounted on standard casters*

| Electrical | Maximum | Minimum | Poles (P) |
|--------------------|-----------|------------------|-----------|
| | Fuse Size | Circuit Ampacity | |
| 208-230/60/1 Air | 25 | 20 | 2P 3W |
| 208-230/60/1 Water | 25 | 19 | 2P 3W |
| 208-230/60/3 Air | 15 | 14 | 3P 4W |
| 380-415/50/3N~ Air | 10 | 9 | 4P 5W |

This unit may be manufactured with other electrical characteristics and may have additional regulatory agency approvals. Consult the local Taylor distributor for other electrical characteristics and agency approvals based on specific electrical and country requirements.

(For exact electrical information, approval marks, and refrigerant, always refer to the data label of the unit.)

Continuing research results in steady improvements. Therefore, these specifications are subject to change without notice.

Bidding Specs

Electrical: Volt _____ Hz _____ ph _____
Neutral: Yes No Cooling: Air Water NA

Options: _____

All options may not be available in combination with others or with all electrical or cooling configurations. Please consult your local Taylor distributor.

Authorized Taylor Distributor

Specifications

Electrical

One dedicated electrical connection is required. See the electrical chart for the proper electrical requirements. Manufactured to be permanently connected. Consult your local Taylor distributor for cord and receptacle specifications as local codes allow.

Beater Motor

One, 1.5 hp.

Refrigeration System

One, approximately 7,100 BTU/hr. R449A.
(BTUs may vary depending on compressor used.)

Air-Cooled

Minimum Clearance: 3" (76 mm) around all sides. Minimum air clearances must be met to ensure adequate airflow for optimum performance.

Options

- Bumper Kit



750 N. Blackhawk Blvd.
Rockton, Illinois 61072
www.taylor-company.com

056749-ADV

9/20