

PROJECT	QUANTITY	ITEM NO
---------	----------	---------

# FlexFusion™ Combi Oven/Smoker

## Platinum Series

**FPE 615** Electric  
FlexiRack®+ Smoker



Henny Penny FlexFusion combi ovens combine different cooking methods into one piece of equipment with the flexibility to cook nearly everything on your menu to perfection.

Now, the FlexFusion Smoker combi lets you add authentic smoke flavors to anything you cook. The smoke box is located outside of the cabinet so food inside can be smoked at low temperatures. Smoke in a single step or as part of a multi-step cooking program. And with FlexiRack® you can smoke up to 70% more product in a single batch. Unit can be used immediately after WaveClean® with no transfer of flavor.

The FPE 615 combi smoker incorporates all the standard features of FlexFusion Platinum Series FlexiRack 6-pan combi ovens, including multi-sensor temperature probe and USB port (see FPE 615 data sheet for more information.)



Chef's Touch control with Smokelnside app:  
Just tap and swipe to add smoke to any recipe!

### Smokelnside app

Add real smoke flavor in varying intensities to any cooking program

Other popular FlexFusion built-in apps:

- **PerfectHold**—Automatically switches to Hold when done cooking
- **TimeToServe**—Tells you when to load different items so they are all done at the same time
- **FamilyMix**—Shows which items can be cooked together
- **GreenInside**—Displays energy and water use for each cooking program
- **CombiDoctor**—Runs system self-diagnostics and displays results

### Standard Features

- Chef'sTouch™ Control System for Automatic or easy manual cooking
  - Durable 7-inch high resolution touch/swipe screen
  - Full-color display, video assist
  - Create your own recipes (up to 20 steps each) or select from 350 AutoChef cooking programs
  - Select and use apps for cooking, serving convenience, cleaning, diagnostics and more
  - Use ClimaSelect Plus to set and maintain humidity levels at 10% increments from 0% to 100% RH
  - Adjust individual settings before or during cooking
  - Multi-sensor food probe
  - Temperature in °F or °C
  - Choose language for operations and service diagnostics
- Smoke box added to top of cabinet
- Separate drawer to load woodchips
- Low temperature smoking without combi cooking function
- No flavor transfer after one cleaning cycle
- 6-level removable pan rack with tilt-resistant rails
- Crosswise pan racking for better ergonomics
- DynaSteam2 precision boilerless steam generation with built-in energy-saving heat transfer
- 5-speed auto-reverse fan for fast, even cooking throughout the cabinet
- Steam Exhaust System (SES)
- Powerful high-efficiency motor uses up to 15% less energy
- Full perimeter door seal
- Triple-pane glass saves 28% more energy over ventilated door system
- Improved WaveClean® self-cleaning system uses 36% less water
- Retractable spray hose for quick, easy rinsing of interior
- Stainless steel interior cabinet with coved corners
- 1 mm stainless steel exterior
- USB port for convenient download of programs, diagnostic messages or HACCP data

### Options, accessories\*

- Two-in-one cleaning cartridges
- Chicken grids
- Stands and cabinets
- Stacking kit

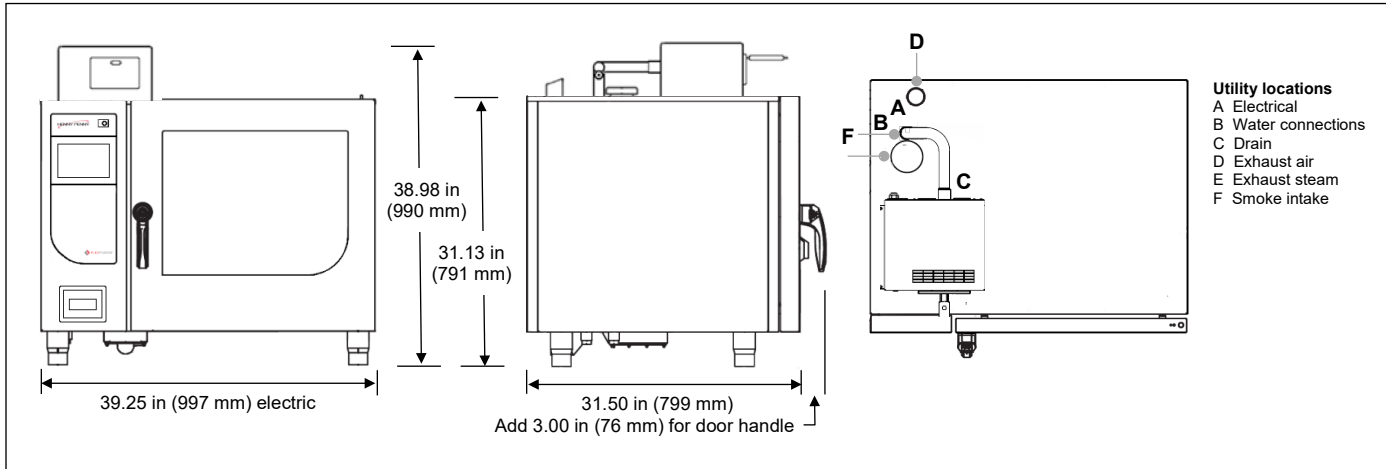
<input type="checkbox"/> APPROVED	<input type="checkbox"/> APPROVED AS NOTED	<input type="checkbox"/> RESUBMIT
AUTHORIZED SIGNATURE		DATE



# FlexFusion™ Combi Oven/Smoker

## Platinum Series

**FPE 615** Electric  
FlexiRack®+ Smoker



### Dimensions

Height	38.98 in (990 mm)
	31.13 in (791 mm) top of cabinet
Width	39.25 in (997 mm)
Depth	31.50 in (799 mm)

### Crated

Length	43 in (1080 mm)
Depth	38 in (960 mm)
Height	40 in (1020 mm)
Volume	38 ft <sup>3</sup> (1.1 m <sup>3</sup> )
Weight	375 lb (170 kg)

### Required clearances

Left	20 in (500 mm) service access
Right	2 in (50 mm) air flow
Back	2 in (50 mm) air flow, utilities
Front	28 in (700 mm) door open

### Heat (see also Cooking mode profiles)

Electric Max temperature 572°F (300°C)

### Water

0.75 in standard cold water connection  
0.75 in soft water connection  
2.0 in (50 mm) drain

### Capacity

- 6 full-size 2.5 in (65 mm) steam table pans crosswise
- 6 FlexiRack pans and grids
- 2 standard 6-chicken grids crosswise, 12 chickens per load
- 4 half-size FlexiRack 6-chicken grids, 2 per rail, 24 chickens per load

### External smoke box

- Integral to unit
- 1 woodchip drawer
- Tubular heating element

### Cooking mode profiles

Steaming/moist heat  
86-266°F (30-130°C)  
Low and high temperature steaming  
Convection cooking/dry heat  
86-572°F (30-300°C) electric  
Active humidity reduction  
Combination/dry + moist heat  
86-482°F (30-250°C)  
Manual or automatic humidity control between 0 and 100% RH  
Rethermalizing/dry + moist heat  
86-356°F (30-180°C)  
Special fan 5-speed function, banqueting programs

### Bidding specifications

Provide Henny Penny FlexFusion Platinum Series FPE 615 electric combi oven/smoker, designed to cook with steaming/moist heat, convection/dry heat, or a combination of dry and moist heat, and holding up to 6 full-size steam table pans crosswise or 6 FlexiRack pans or grids on removable tilt-resistant rails.

### Unit shall incorporate:

- Chef's Touch Control System featuring protected full-color capacitive touch screen with automatic and manual cooking capability, SmokeInside, ClimaSelect Plus humidity control and designated pre-loaded apps
- Boilerless DynaSteam2 Technology with precise humidity generation and heat exchange
- Variable speed, auto reverse fan that moves air in alternating directions for more even heating
- Automated WaveClean® self-cleaning system
- Seamless stainless steel cooking chamber, full-perimeter door seal and triple-pane glass for energy efficiency
- Cabinet interior: 316S11 stainless steel  
cabinet exterior: 1 mm stainless steel

### Electrical

Volts	Phase	Hertz	kW	Amps	Wire*
208	3	60	10.4	28.9	3+G
240	3	60	13.7	32.9	3+G

### Laboratory certifications



\*Units shipped without power cord and plug must have power cord and plug installed on site by a qualified electrician.

Continuing product improvement may subject specifications to change without notice.

**24 Hour Technical Support:**  
Henny Penny Technical Service  
800.417.8405  
[technicalservices@hennypenny.com](mailto:technicalservices@hennypenny.com)

**Henny Penny Corporation**  
PO Box 60 Eaton OH 45320 USA  
+1 937 456.8400 800 417.8417  
+1 937 456.8434 Fax 800 417.8434 Fax  
[www.hennypenny.com](http://www.hennypenny.com)

**HENNY PENNY**  
Engineered to Last