

PROJECT	QUANTITY	ITEM NO
---------	----------	---------

Merchandiser Bases

HMR profile base

MPB 103
MPB 104
MPB 105
MPB 106
MPB 107



MPB 104 22 in (559 mm) profile base in custom black, shown with HMR 104 heated merchandiser

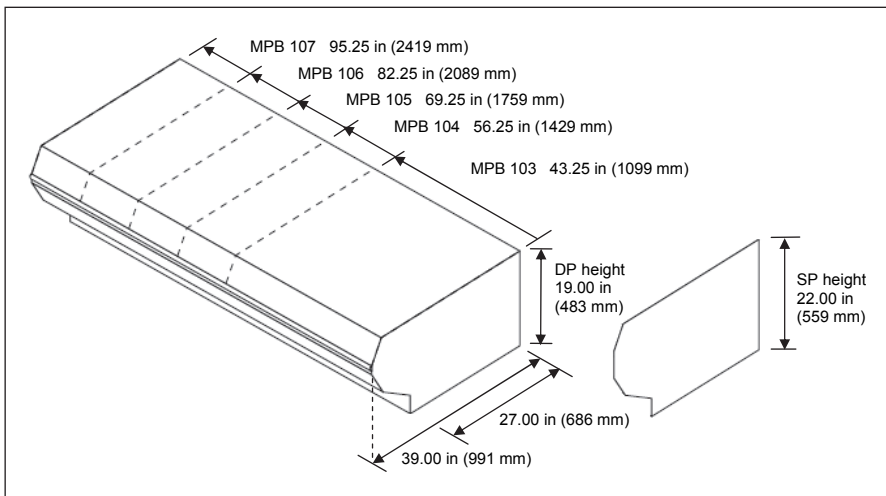
Henny Penny merchandiser bases offer an attractive and durable foundation for Henny Penny HMR merchandisers, either standalone or as part of a deli case line.

Profile bases are continuous length base units with a sleek faceted profile ending in a deep recessed bottom. Choose from 2 heights for desired food display and access:

- 19 in (483 mm) Deli Profile (DP)
- 22 in (559 mm) Serve Profile (SP)

Standard Features

- Rugged stainless steel construction for easy cleaning and long life
- Sturdy structural framework
- Full length protective bumper strip strategically placed to prevent grocery cart damage
- Recessed kicker panel
- Adjustable leveling feet
- Standard finishes: white, cream, or stainless steel
- Custom color panels and bumper colors available to match store décor



Bidding Specifications

Provide Henny Penny model MPB 103, 104, 105, 106 or 107 profile merchandiser base for use with corresponding Henny Penny HMR heated merchandiser, sold separately.

Unit shall incorporate:

- Stainless steel exterior
- Structural steel interior framework
- Choice of 19 in (483 mm) Deli Profile (DP) height or 22 in (559 mm) Serve Profile (SP) height
- Full length protective bumper strip
- Leveling feet

Laboratory certifications



	MPB 103	MPB 104	MPB 105	MPB 106	MPB 107
Dimensions					
Width	43.25 in (1099 mm)	56.25 in (1429 mm)	69.25 in (1759 mm)	82.25 in (2089 mm)	95.25 in (2419 mm)
Depth	39.00 in (991 mm)	39.00 in (991 mm)	39.00 in (991 mm)	39.00 in (991 mm)	39.00 in (991 mm)
Height DP	19.00 in (483 mm)	19.00 in (483 mm)	19.00 in (483 mm)	19.00 in (483 mm)	19.00 in (483 mm)
Height SP	22.00 in (559 mm)	22.00 in (559 mm)	22.00 in (559 mm)	22.00 in (559 mm)	22.00 in (559 mm)
Crated					
Length	50 in (1265 mm)	63 in (1600 mm)	76 in (1930 mm)	88 in (2230 mm)	101 in (2560 mm)
Depth	49 in (1240 mm)	49 in (1240 mm)	49 in (1240 mm)	49 in (1240 mm)	47 in (1195 mm)
Height	29 in (740 mm)	29 in (740 mm)	29 in (740 mm)	29 in (740 mm)	40 in (1015 mm)
Volume	41 ft ³ (1.2 m ³)	52 ft ³ (1.5 m ³)	62 ft ³ (1.8 m ³)	72 ft ³ (2.1 m ³)	108 ft ³ (3.1 m ³)
Weight	Contact Henny Penny				

Continuing product improvement may subject specifications to change without notice.

<input type="checkbox"/> APPROVED	<input type="checkbox"/> APPROVED AS NOTED	<input type="checkbox"/> RESUBMIT
AUTHORIZED SIGNATURE		DATE

Henny Penny Corporation
 PO Box 60 Eaton OH 45320 USA
 +1 937.456.8400 800.417.8417
 +1 937.456.8434 Fax 800.417.8434 Fax
 +1.800.417.8405 Technical Support

www.hennypenny.com

HENNY PENNY
 Engineered to Last