



**CROWN**<sup>®</sup>  
SERIES

TOTALLY DIFFERENT.



Item No. \_\_\_\_\_

# C708

## Soft Serve Freezer

Single Flavor, Pump, Heat Treatment

### Features

Offer all the popular soft serve variations from low- to non-fat ice creams or yogurt.

#### Heat Treatment System

Provides a daily heating and cooling cycle to safely maintain dairy products up to two weeks before a complete disassembly and cleaning is required.

#### Freezing Cylinder

One, 3.4 quart (3.2 liter).

#### Mix Hopper

One, 20 quart (18.9 liter). Refrigerated to maintain mix below 41°F (5°C) in Auto and Standby modes. Simplified air/mix pump delivers the precise amount of air and mix to the freezing cylinder, and reduces operator parts.

#### Indicator Lights

Mix Low light alerts the operator to add mix. When the Mix Out light flashes, the unit automatically goes into Standby mode to prevent damage.

#### Touch Screen Controls

Microprocessor touch controls are embedded in durable tempered glass panel. Multiple languages are selectable. Viscosity is continually measured to dispense soft serve desserts. Soft lock out features improve reliability. Temperatures in the hopper or freezing cylinder may be displayed at any point of operation. History of temperatures and times during the last 366 heat cycles may be viewed from the fluorescent display.

#### Standby

During long no-use periods, the standby feature maintains safe product temperatures in the mix hopper and freezing cylinder.



Optional Cart with front opening door



Optional Cart with rear door for front mount syrup rail



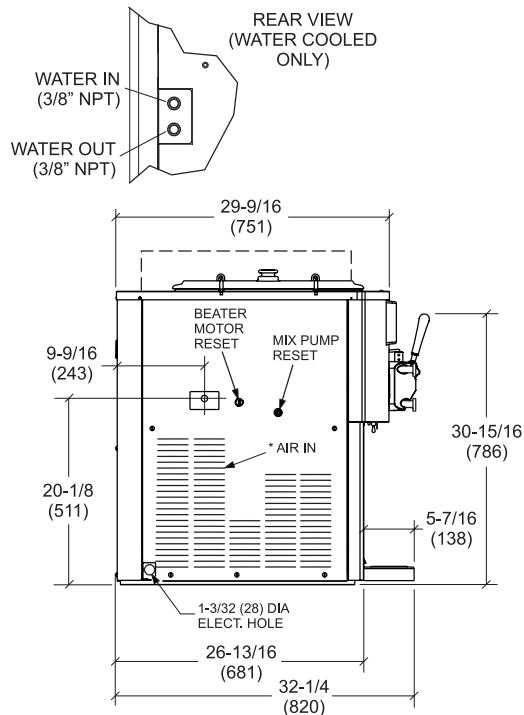
Optional Top Air Discharge Chute

Rockton, Illinois 61072  
**800-255-0626**  
Phone 815-624-8333 Fax 815-624-8000  
[www.taylor-company.com](http://www.taylor-company.com)  
e-mail: [info@taylor-company.com](mailto:info@taylor-company.com)

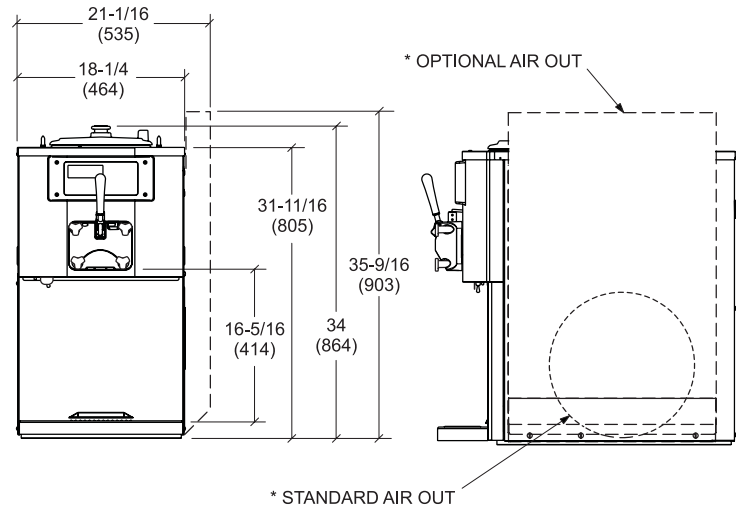
International Office  
Taylor Company S.r.l.  
Roma, Italy  
Tel: **+39-06-420-12002** Fax: +39-06-420-12034  
e-mail: [romeoff@taylor-company.com](mailto:romeoff@taylor-company.com)

ISO 9001:2000  
Registered Firm

# C708 Soft Serve Freezer



Shown with optional Air Discharge Chute



NOTE: \* (AIR COOLED ONLY)  
FIGURES IN PARENTHESES INDICATE MILLIMETERS

Weights	lbs.	kgs.
Net	454	205.9
Crated	494	224.1
	cu. ft.	cu. m.
Volume	30.6	0.86

Dimensions	in.	mm.
Width	18-1/4	464
Depth	32-1/4	820
Height	34	864
Counter Clearance	---	---

\*Designed to rest on a plastic pad directly on counter top.

Electrical	Maximum Fuse Size	Minimum Circuit Ampacity	Poles (P) Wires (W)
208-230/60/1 Air	30	23	2P 3W
208-230/60/1 Water	30	23	2P 3W
208-230/60/3 Air	25	18	3P 4W
208-230/60/3 Water	25	18	3P 4W
220-240/50/1 Air	25	21	2P 3W
380-415/50/3N~ Air	12	9	4P 5W

This unit may be manufactured in other electrical characteristics. Refer to the local Taylor Distributor for availability.  
(For exact electrical information, always refer to the data label of the unit.)

## Bidding Specs

Electrical: Volt \_\_\_\_\_ Hz \_\_\_\_\_ ph \_\_\_\_\_  
Neutral:  Yes  No Cooling:  Air  Water  NA

Options: \_\_\_\_\_  
\_\_\_\_\_

## Specifications

### Electrical

One dedicated electrical connection is required. See the Electrical chart for the proper electrical requirements. Manufactured to be permanently connected. Consult your local Taylor distributor for cord & receptacle specifications as local codes allow.

### Beater Motor

One, 1.5 HP.

### Refrigeration System

One, 9,500 BTU/hr. R404A.

### Air Cooled

Minimum 6" (152 mm) on both sides and place the back of the unit against a wall to prevent recirculation of warm air. Minimum air clearances must be met to assure adequate air flow for optimum performance.

Optional air discharge chute directs heated air exhaust upwards. No clearance required on right side if air discharge chute is used.

### Water Cooled

Water inlet and drain connections on right side or under side of base, 3/8" FPT.

## Options

- Cart with casters-height to top of hopper cover: 59-1/8" (1502 mm)
- Cone Dispenser
- Decals - Vanilla or Flavor Burst Cone
- Hopper Locks
- Legs - [increase height of unit by 4-1/4" (108 mm)]
- Syrup Rail (front mount requires special cart with rear door)
- Syrup Rail Kit (side mount)
- Top Air Discharge Chute (air cooled only)

### C201 Cart Weights:

Net: 110 lbs. (49.9 kg) Crated: 143 lbs. (64.9 kg) 23.8 cu. ft. (0.67 cu.m.)

Continuing research results in steady improvements; therefore, these specifications are subject to change without notice.



**Taylor Company,**  
A Division of Carrier Commercial Refrigeration, Inc.  
Rockton, Illinois 61072  
815-624-8333 800-255-0626 Fax 815-624-8000  
www.taylor-company.com

Printed in U.S.A.

058465-ADV 7/08