

PROJECT	QUANTITY	ITEM NO
---------	----------	---------

Rotisserie mobile stand

MODEL **SCT-800**



General Information

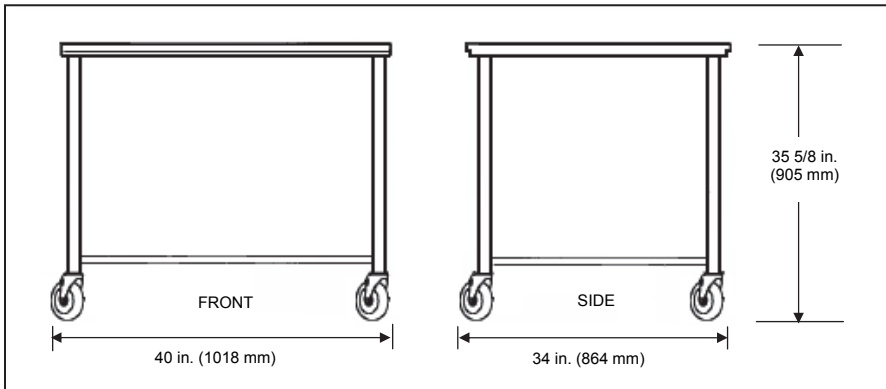
This sturdy work table is designed specifically as a base for mounting the Henny Penny SCR-6 or SCR-8 countertop Rotisseries when built-in countertops are not available.

Henny Penny mobile rotisserie stands provide foodservice operators a safe, sanitary surface to place rotisseries while making it easy to relocate them at any time.

Standard Features

- Sturdy, welded stainless steel frame construction.
- Four heavy-duty casters; two locking.
- Convenient lower storage shelf.

SCT-800 rotisserie work table/mobile stand



Dimensions

Height: 35 5/8 in. (905 mm)

Width: 40 in. (1018 mm)

Depth: 34 in. (864 mm)

Floor space: 10 sq. ft. (1m³)

Crated dimensions: Contact Henny Penny

Net weight: N/A

Crated weight: Contact Henny Penny

Bidding Specifications

- Provide Henny Penny rotisserie work table model SCT-800 and mobile stand for SCR-6 or SCR-8 countertop rotisserie.
- Unit shall be constructed of welded stainless steel and shall consist of a top surface and lower storage surface.
- Unit shall include (4) 5-inch heavy duty casters, two locking.

Laboratory certifications



Continuing product improvement may subject specifications to change without notice.

<input type="checkbox"/> APPROVED	<input type="checkbox"/> APPROVED AS NOTED	<input type="checkbox"/> RESUBMIT
AUTHORIZED SIGNATURE		DATE

Henny Penny Corporation
 PO Box 60 Eaton OH 45320 USA
 +1 937 456.8400 800 417.8417
 +1 937 456.8434 Fax 800 417.8434 Fax
www.hennypenny.com

